



*Superior Design & Craftsmanship*

*Wine Rack Assembly Instructions*

## **CLASSIC & ESTATE TOP DISPLAYS 5, 7, & 10 COLUMN**



**ESTATE**



**CLASSIC**

Congratulations! You have purchased the finest wine racking available anywhere. Properly assembled, your Vigilant wine racks will outlast even your finest wines. Please call toll free 888-812-4427 if you have any questions or problems.

### ***Tools Required for Assembly***

- Electric drill(s) or cordless screw gun(s)
- 9/64" drill bit, for pre-drilling
- Phillips Head Screwdriver
- #2 Square drive bit / #2 Phillips bit
- Hammer, preferably rubber or soft-faced

### ***Tips for Building Your Wine Racks***

If you are using a powered screw gun that has a clutch, make sure to set it at a low setting first until you find the right setting. If you have it set high it may over-tighten and then split the wood.

Pre-drill all screw holes with a 9/64" drill bit. This makes it less likely for your wood to split. (The easiest way to do this is to follow the pre-drilled holes provided on certain pieces as your guide.)

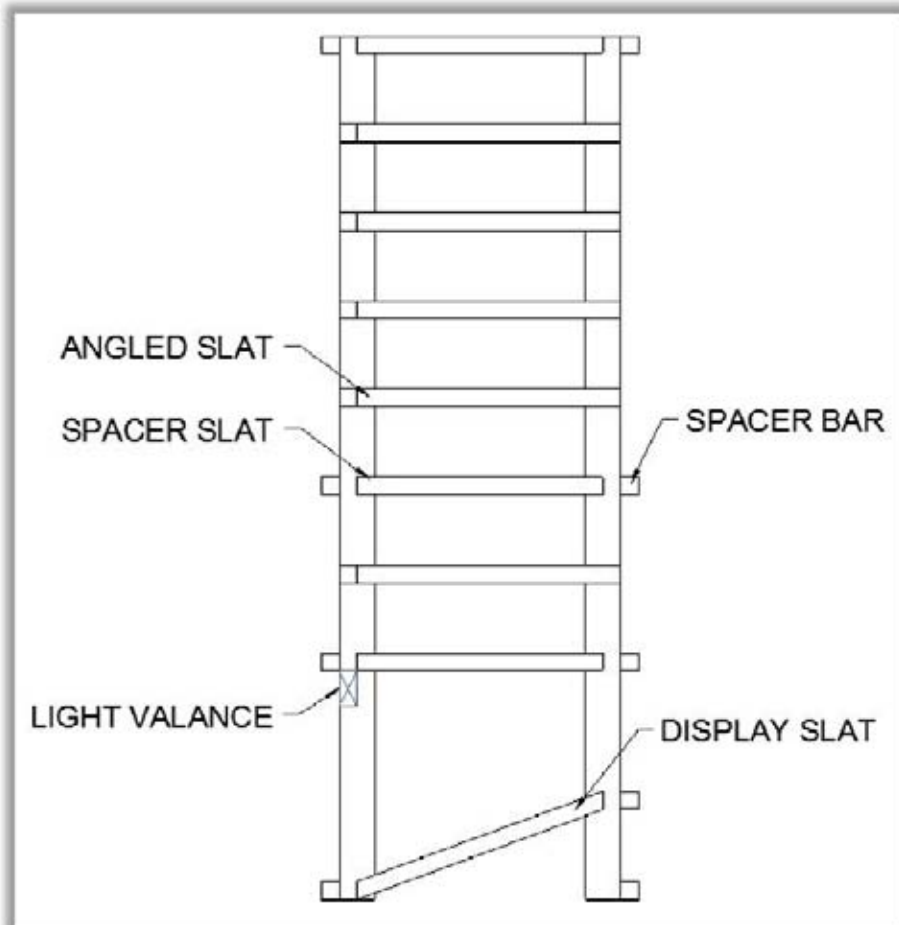
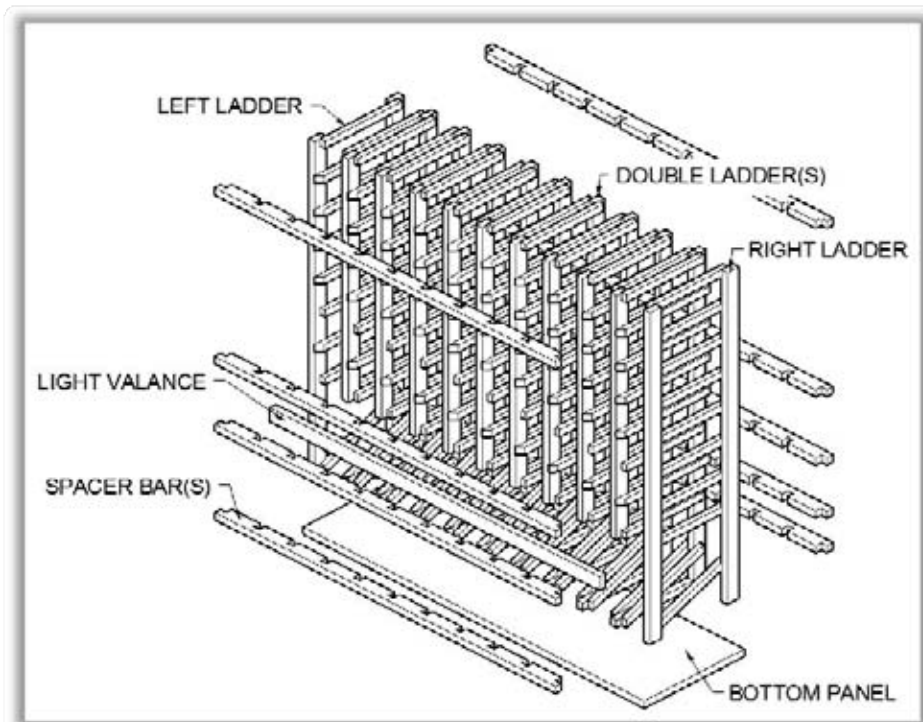
When attaching racks to adjacent racking we recommend using clamps to hold the adjacent racks together before securing with screws.

The best placement for your screws, to secure adjacent racks is behind the applied face frame. This keeps the screws hidden and keeps your rack secure and steady.

If you ordered your racking with no holes and are using a pneumatic brad gun, we recommend using an 18 gauge brad - 1 1/2" long.

## Exploded View

The image below is for part reference only. Part dimensions and quantities may vary depending on the specific item(s) ordered.

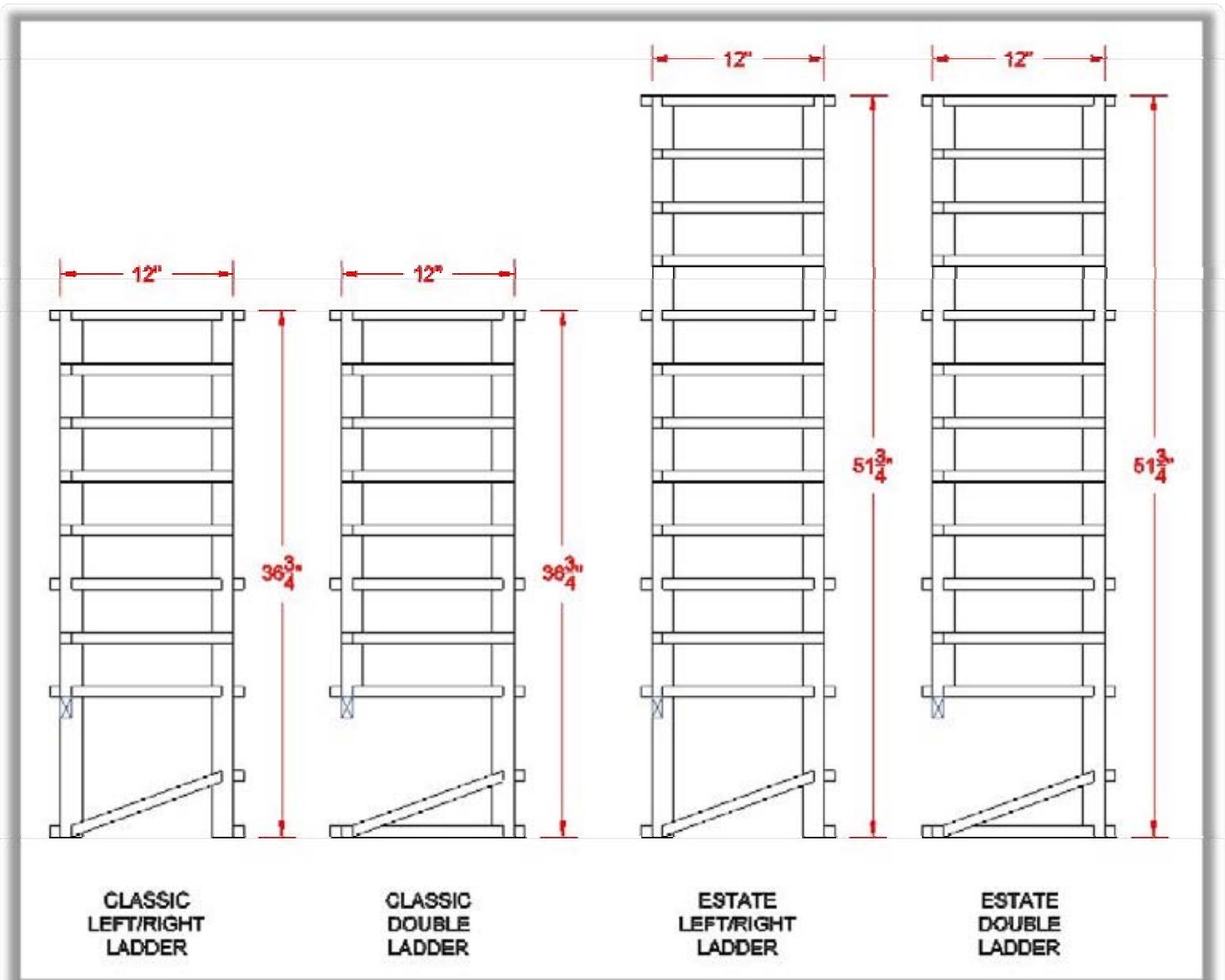


## Parts List

Before starting, carefully review the parts and quantities against the parts list to make sure you have everything you need. Then read through the instructions, taking time to familiarize yourself with the pieces and steps.

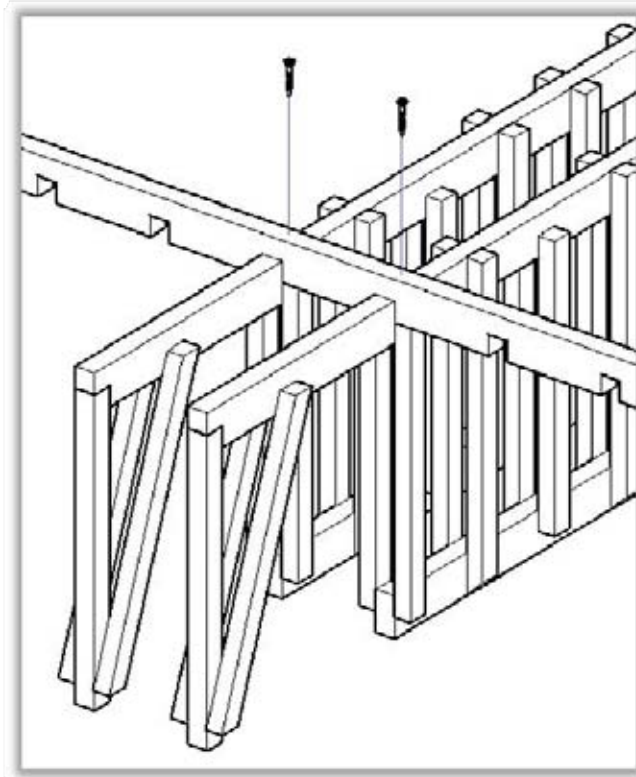
Columns	Left / Right Ladder	Double Ladders	Spacer Bars		Spacer Bar (Length)	Valance (Length)	Bottom Panel (13 1/2"w)	Screws		Screw Caps	
			Classic	Estate	(inches)	(inches)	(length inches)	Classic	Estate	Classic	Estate
5	1/1	4	9	11	23 1/4	1 @ 21 3/4	1 @ 23 1/4	63	75	24	30
7	1/1	6	9	11	32 1/4	1 @ 30 3/4	1 @ 32 1/4	83	99	32	40
10	1/1	9	9	11	45 3/4	1 @ 44 1/4	1 @ 45 3/4	113	135	44	55

## Ladder Dimensions

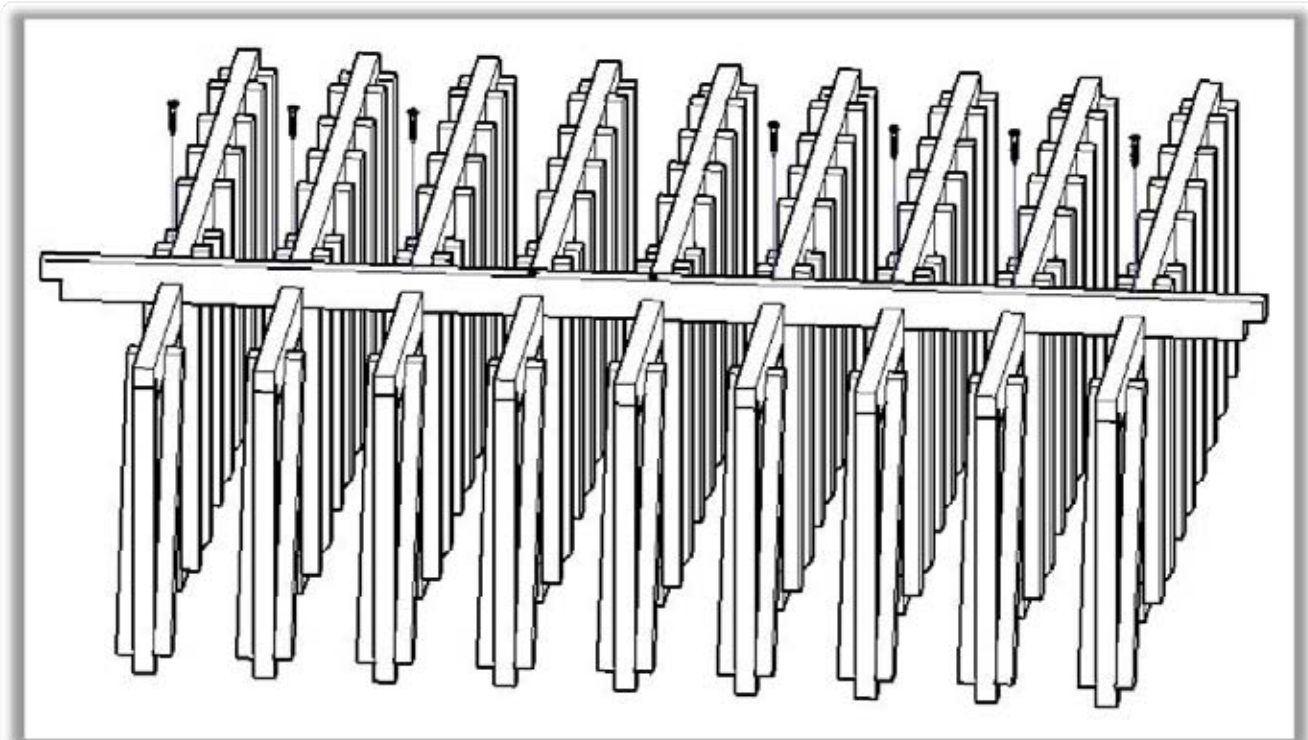


# STEPS FOR ASSEMBLY

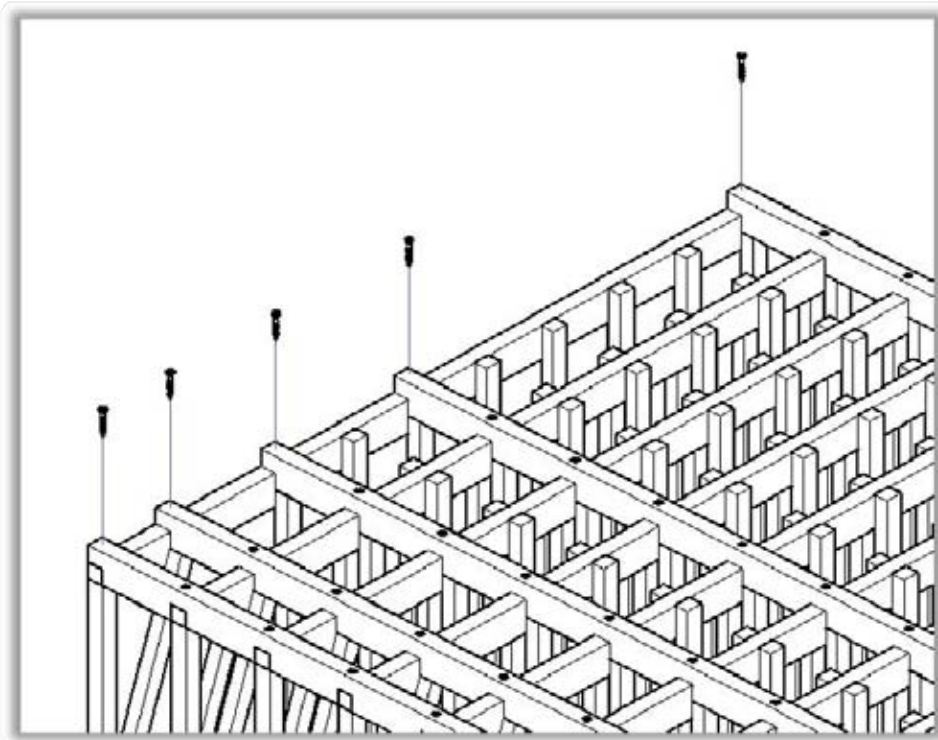
1. Locate 2 double ladders and one spacer bar. With the ladders face down on the work surface, fit spacer bar at correct location and affix using supplied screws.



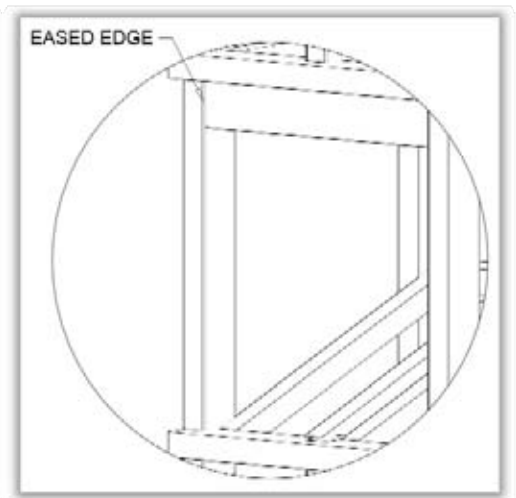
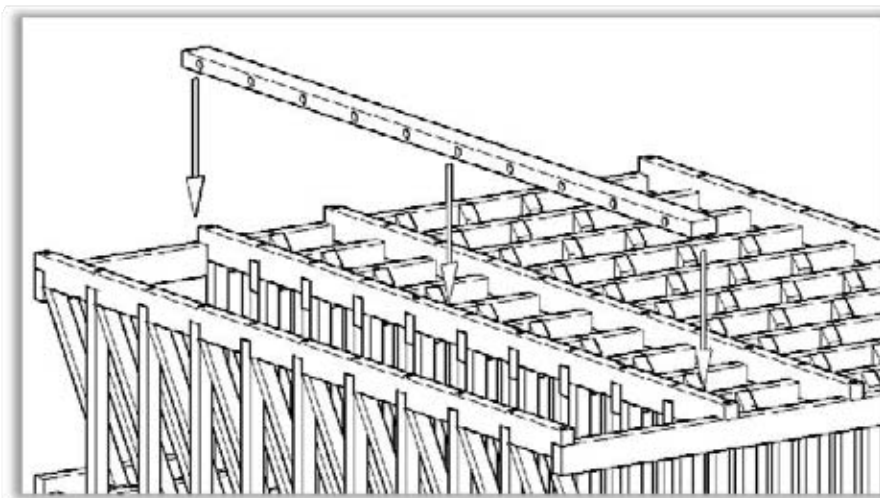
2. Locate all other double ladders and repeat step 1 at this spacer bar location.



3. Locate as many spacer bars as needed and repeat steps 1 and 2 at all other spacer bar locations. Classic height racking requires a total of 5 spacer bars for the back and Estate height racking requires 6 total spacer bars for the back.
4. Locate the left and right ladders and repeat steps 1 and 2 for both ladders. **Make sure to pre-drill into the ladders before screwing as this is the most common occurrence of wood splitting.**

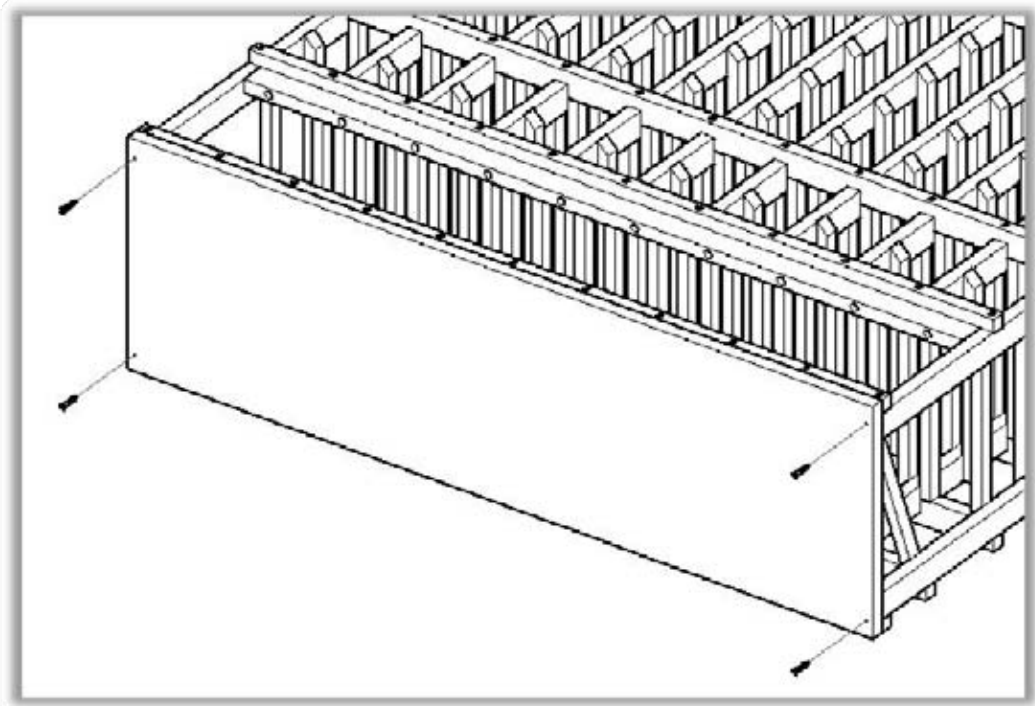


5. Carefully flip the rack assembly over to continue the assembly, two people may be required.
6. Repeat steps 1 through 4 for all of the front spacer bars. As this is the face side of the rack, use extra caution when completing this step so as not to damage or split any of the material.
7. With all of the front spacer bars attached, it's now time to locate the light valance and attach it. To do this locate the light valance and fit it into its proper location. We recommend attaching it so it sits just behind the eased edges of the ladder uprights. Affix light valance to spacer bar above by screwing through the pre-drilled holes on the bottom edge of the light valance.



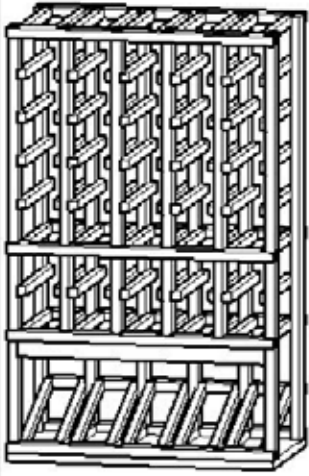
8. Using the supplied screw covers, remove them from the sheet and place them over the front facing screw heads. Do not apply the screw head covers to the top spacer bar if crown molding is being applied.

9. Locate the bottom panel. With edge banded edge facing the front of the rack, flush up the bottom panel on all edges and affix to the bottom of the ladder racking using the predrilled holes.

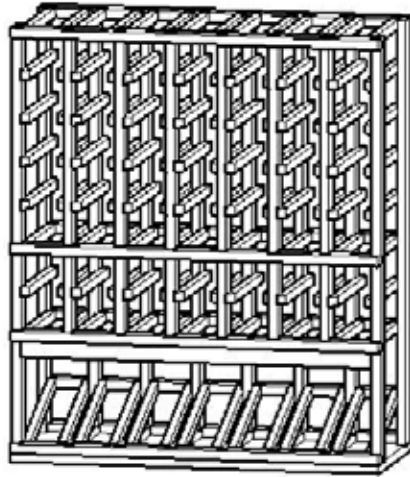


10. Stand the unit up, the assembly is complete!

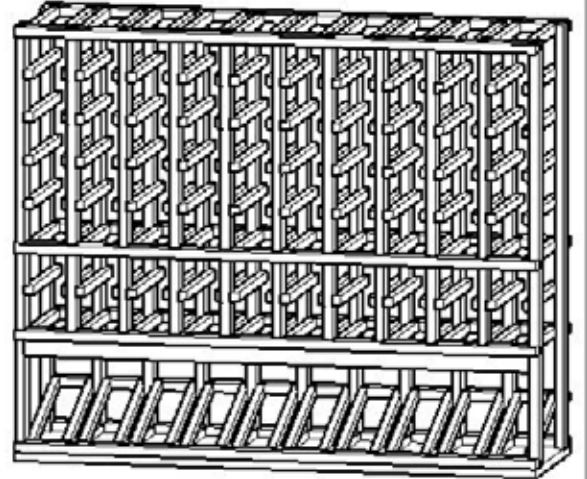
Please refer to the next page for an assembled view of each of the racks this instruction booklet covers.



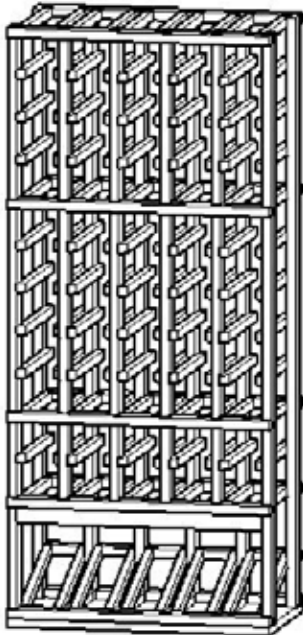
Classic 5 Column  
Top Display



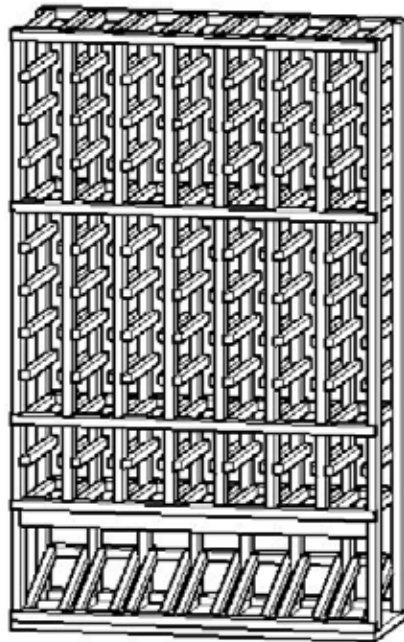
Classic 7 Column  
Top Display



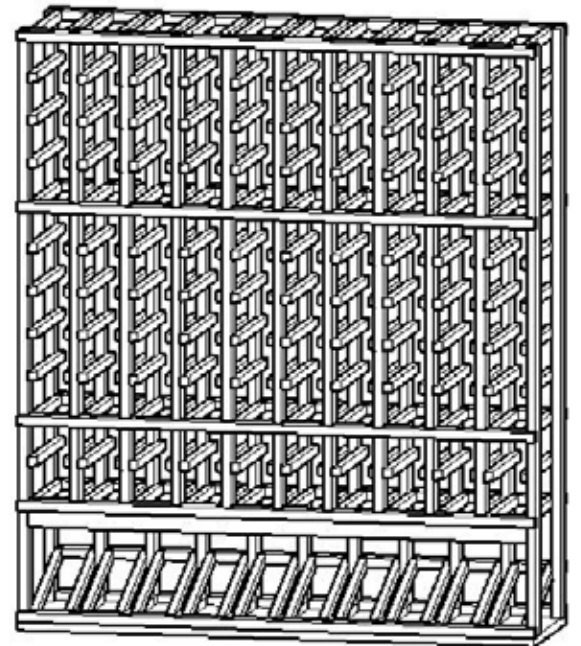
Classic 10 Column  
Top Display



Estate 5 Column  
Top Display



Estate 7 Column  
Top Display



Estate 10 Column  
Top Display



## *How to Care for Your Stained & Lacquered Wine Racks*

Your Vigilant wine racks are built using the highest quality wood and finish available. When properly cared for, your wine racks will last longer than your finest bottles of wine. Here are a few tips on maintaining the quality and consistency of your racking.

**Remove Dust:** Dust build up from small airborne particles may scratch the surface if not removed correctly. Simply wipe the surface with a cloth dampened with a non-wax cleaning polish or mild detergent.

**Clean:** Fingerprints, cooking fumes, smoking residue, etc., accumulate on any surface. None of these contaminants will harm our Satin lacquer finish, but they should be periodically removed to restore the finish to its original luster. Just wipe the surface with a cloth dampened with a non-wax containing polish or mild detergent solution. Avoid the use of ammonia based products or silicone oil, as they may cause damage if used over a long period of time.

Our satin lacquer finish is durable and resistant to most household spills. However, spills should be wiped up promptly to avoid potential problems.

Excessive prolonged exposure to direct sunlight, high temperatures and high humidity can cause damage to both the finish and the wood itself. These should be avoided.

Following these simple steps will keep your finished wine racks looking like new for many years.



*Superior Design & Craftsmanship*

### **Questions?**

Please contact our Customer Service Department  
at 888-812-4427

Vigilant Inc.  
85 Industrial Park Drive  
Dover, NH 03820  
(603) 285-0400

[Info@vigilantinc.com](mailto:Info@vigilantinc.com)  
Website: [vigilantinc.com](http://vigilantinc.com)