



*Superior Design & Craftsmanship*

*Wine Rack Assembly Instructions*

## **2-10 COLUMN INDIVIDUAL RACKS WITH HIGH REVEAL DISPLAY ROW**



Classic



Estate

Congratulations! You have purchased the finest wine racking available anywhere. Properly assembled, your Vigilant wine racks will outlast even your finest wines. Please call toll free 888-812-4427 if you have any questions or problems.

### ***Tools Required for Assembly***

- Electric drill or cordless screw gun
- 9/64" drill bit
- Phillips Head Screwdriver
- #2 Square drive bit / #2 Phillips bit
- Hammer, preferably rubber or soft-faced

**NOTE:** If you have chosen your wine rack to be manufactured without pre-drilled holes, you will need a pneumatic nail gun to properly assemble your rack.

### ***Tips for Building Your Wine Racks***

Before assembling your rack, line up all of your spacer bars. If any spacer bars have blemishes from shipping they can be used as back spacer bars, where they will not be seen.

If you are using a powered screw gun that has a clutch, make sure to set it at a low setting first until you find the right setting. If you have it set high it may over-tighten and split the wood.

Pre-drill all screw holes with a 9/64" drill bit. This makes it less likely for your wood to split. (The easiest way to do this is to follow the pre-drilled holes provided on certain pieces as your guide.)

When you screw through the spacer bar and into the ladder upright do not over-tighten, especially on the end locations. Over-tightening can cause your spacer bar to split.

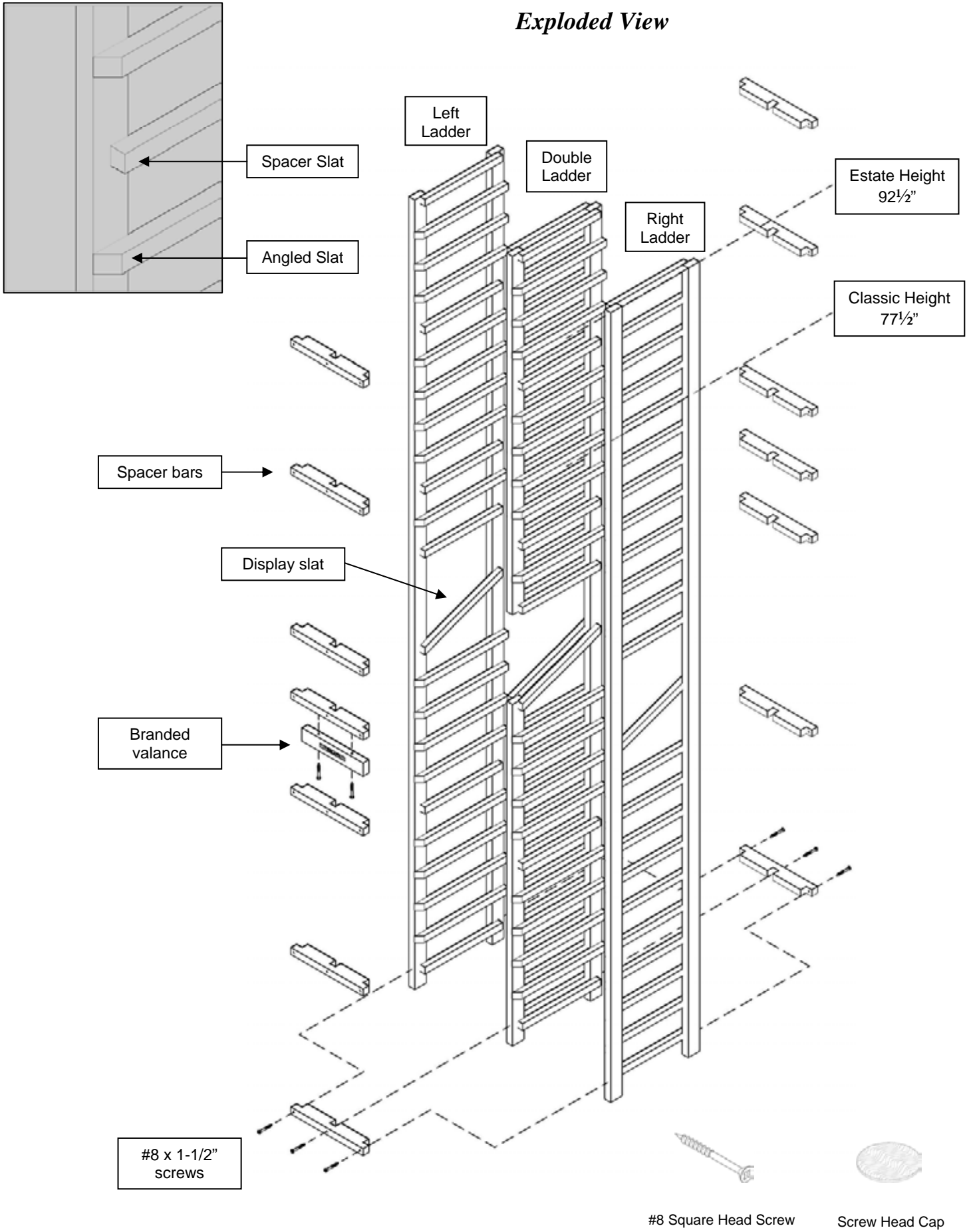
Make sure you align the top of your spacer bar to the top of the spacer slat.

When attaching your rack to the wall it is easiest to drill through your top back spacer bar and into the wall stud.

When attaching racks to adjacent racking we recommend using clamps to hold the adjacent racks together before securing with screws.

The best placement for your screws, to secure adjacent racks is under all spacer bar locations. This keeps the screws hidden and keeps your rack secure and steady.

# Exploded View



## Parts List

Before starting, carefully review the parts and quantities against the parts list to make sure you have everything you need. Then read through the instructions, taking time to familiarize yourself with the pieces and steps.

Columns	Left / Right Ladder	Double Ladders	Spacer Bars		Valance (Length)	Screws		Screw Caps	
			Classic	Estate	(inches)	Classic	Estate	Classic	Estate
2	1/1	1	12	14	8 1/4	38	44	18	21
3	1/1	2	12	14	12 3/4	51	59	24	28
4	1/1	3	12	14	17 1/4	64	74	30	35
5	1/1	4	12	14	21 3/4	77	89	36	42
6	1/1	5	12	14	26 1/4	90	104	42	49
7	1/1	6	12	14	30 3/4	103	119	48	56
8	1/1	7	12	14	35 1/4	116	134	54	63
9	1/1	8	12	14	39 3/4	129	149	60	70
10	1/1	9	12	14	44 1/4	142	164	66	77

# STEPS FOR ASSEMBLY

Please see notes in instructions for special steps on assembling racking without pre-drilled holes.

1. Locate a spacer bar and a double-sided middle ladder rack. Place the middle ladder on its back with angled slats facing up. You will notice that the top of the ladder has horizontal slats flush with the top of the front uprights, while the bottom slats are set 1¾" up from the bottom of the uprights. (See Exploded View).
2. Locate the rabbet (slot) nearest the middle of the spacer bar. Place the rabbet over the upright of the middle rack at the lowest slat location near the bottom of the rack. (Figure 1).

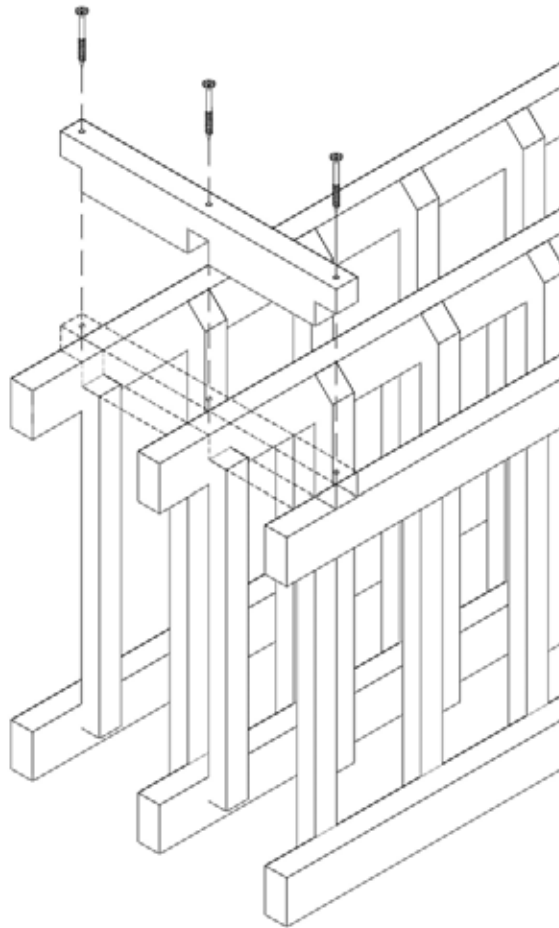


Figure 1

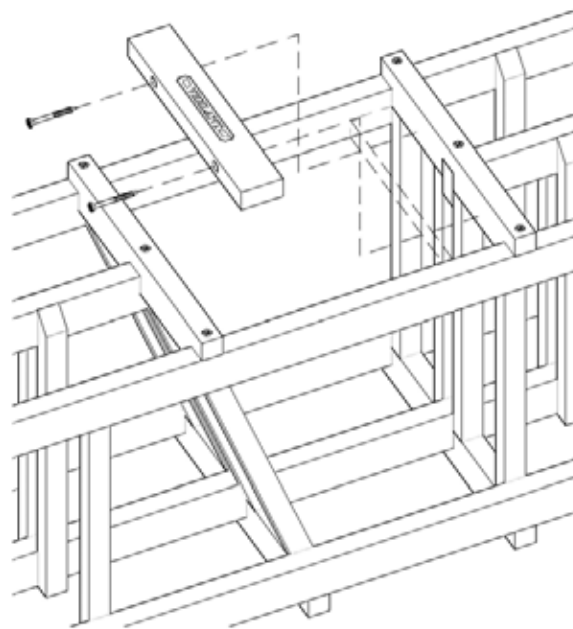
3. Pre-drill through the existing holes in the spacer bar and into the ladder upright using a 9/64" drill bit. Change to the square drive/Phillips bit and drive a screw into the pre-drilled hole. Be sure that the screw head sinks below the surface.

**Note: For racks without pre-drilled holes, attach spacer bar using nail gun in step 3.**

4. Take each middle ladder and attach to the spacer bar, as in Step 3. At the ends of the spacer bar, attach the single-sided ladder with slats facing the inside of the ladder. Be sure the ends of the spacer bar are flush with the left and right ladders (Figure 1).

5. At this point all the ladders should be attached to the first spacer bar as seen in **Figure 1**. Set another spacer bar over the next spacer slat location. Attach to the ladders using the same method as in Step 3.
6. Continue adding spacer bars, repeating Step 3, until all front spacer bars have been attached.
7. Carefully flip the assembly onto its front. Attach the remaining spacer bars to the back in the same manner.
8. Locate your branded light valance. Connect light valance to the spacer bar above the angled display row with screws, as shown in Figure 2.

Figure 2: Attach valance to rack above display row.



**Note:** Light valance may be attached with the brand facing in or out.

9. Stand your assembly up and place screw caps onto the heads of all front screws.

**Note:** If your racks will be fitted with top molding or base molding, do not place screw caps on the top or bottom spacer bars.

10. Your rack is now complete and ready to be moved to its final location. The rack should be placed with its back against a wall and be shimmed to level, front to back and side to side.

- 11.\* Attach your rack to the wall by drilling through at least one back spacer bar and into two wall stud locations, then fasten securely with wood screws (not provided).

*\*Failure to attach the rack to the wall could result in the rack tipping over. NOTE: If you are unable to attach the rack to a stud, attach to adjacent racking.*

## *How to Care for Your Stained & Lacquered Wine Racks*

Your Vigilant wine racks are built using the highest quality wood and finish available. When properly cared for, your wine racks will last longer than your finest bottles of wine. Here are a few tips on maintaining the quality and consistency of your racking.

**Remove Dust:** Dust build up from small airborne particles may scratch the surface if not removed correctly. Simply wipe the surface with a cloth dampened with a non-wax cleaning polish or mild detergent.

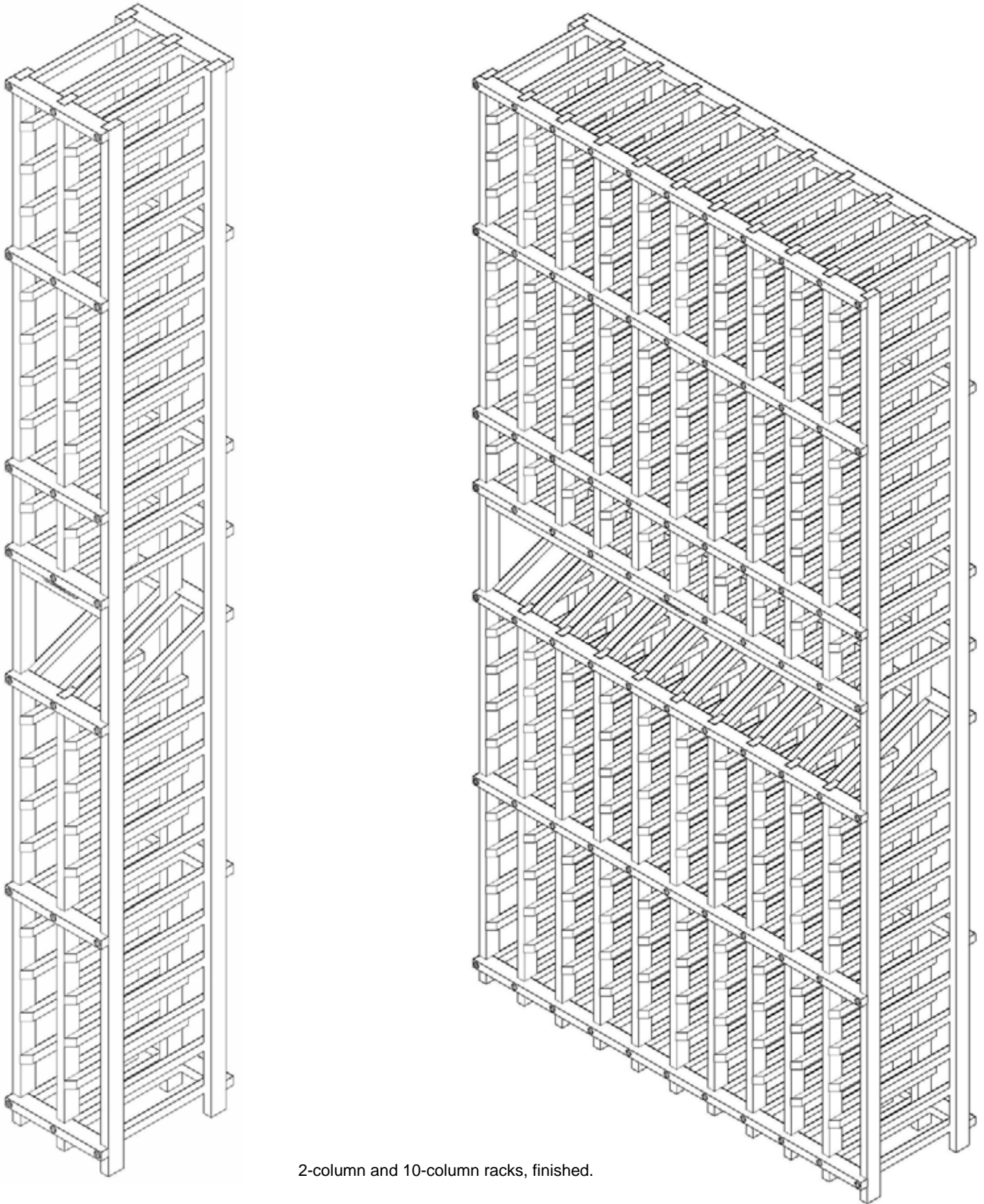
**Clean:** Fingerprints, cooking fumes, smoking residue, etc., accumulate on any surface. None of these contaminants will harm our Satin lacquer finish, but they should be periodically removed to restore the finish to its original luster. Just wipe the surface with a cloth dampened with a non-wax containing polish or mild detergent solution. Avoid the use of ammonia based products or silicone oil, as they may cause damage if used over a long period of time.

Our satin lacquer finish is durable and resistant to most household spills. However, spills should be wiped up promptly to avoid potential problems.

Excessive prolonged exposure to direct sunlight, high temperatures and high humidity can cause damage to both the finish and the wood itself. These should be avoided.

Following these simple steps will keep your finished wine racks looking like new for many years.

# FINISHED WINE RACKS



2-column and 10-column racks, finished.





*Superior Design & Craftsmanship*

## **Questions?**

Please contact our Customer Service Department  
at 888-812-4427

Vigilant Inc.  
85 Industrial Park Drive  
Dover, NH 03820  
(603) 285-0400

[Info@vigilantinc.com](mailto:Info@vigilantinc.com)  
Website: [vigilantinc.com](http://vigilantinc.com)